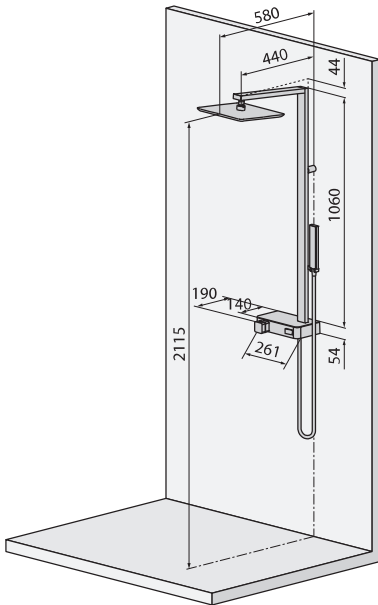
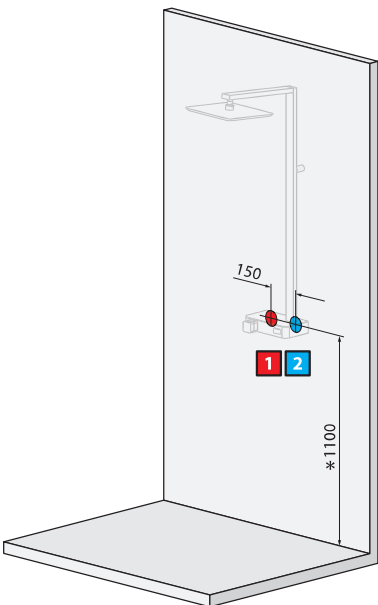


FLOW

SHOWER COLUMN for wall fitting



Shower head
250x250 mm



1 2 Water connections for wall mounted fittings

HYDRAULIC CHARACTERISTICS

- Optimum dynamic pressure 2-5 bar
- 1/2" hot water connection
- Cold water connection 1/2"



Mixer	Dimensions (cm)	Code	Select the colour		
			A	H	W
			White	Black	Mirror



THERMOSTATIC	26 x 115,8	FLOWT-			
--------------	------------	--------	--	--	--

HOW TO CHOOSE YOUR PRODUCT USING THE CODES:

FLOWT-A = FLOWT- + A



White



Black



Mirror

● IN STOCK UK
(Other products) please check availability