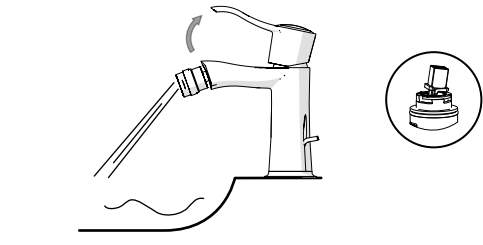
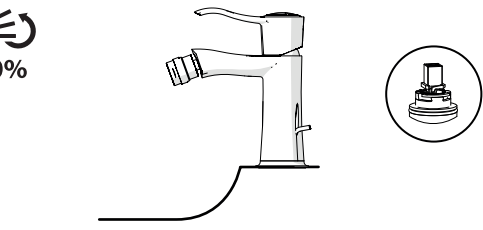
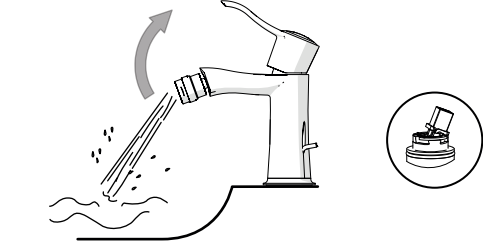


-50%

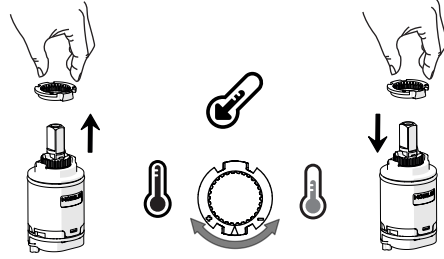
7



ON 50%



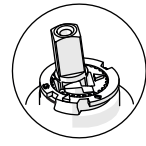
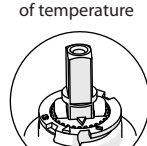
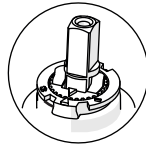
ON 100%



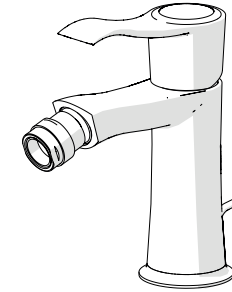
No limitation of temperature

Partial limitation of temperature

Maximum position Only cold water



**NOBILIS**  
The Best Technology for Water



SI98119/1



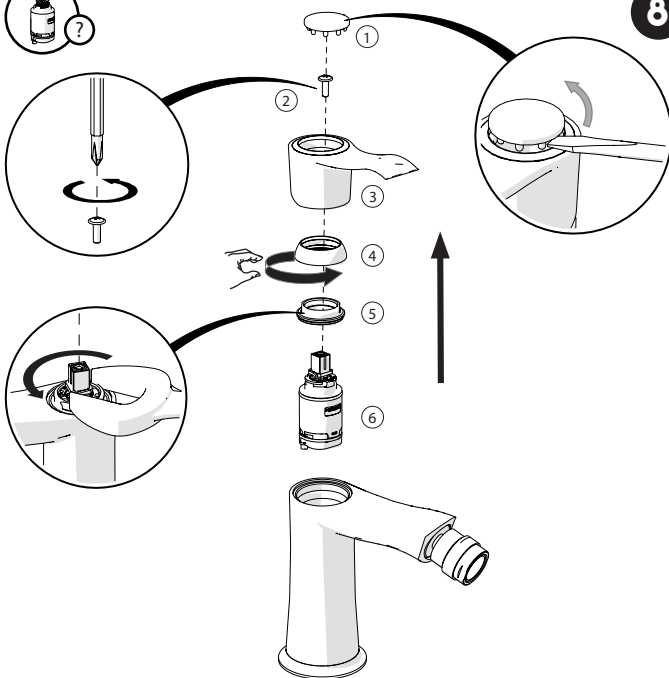
www.grupponobili.it

IISTR98119/1#--STD

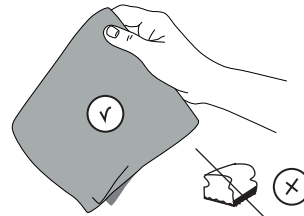
REV1.09/2013



8



**CLEANING**



WATER

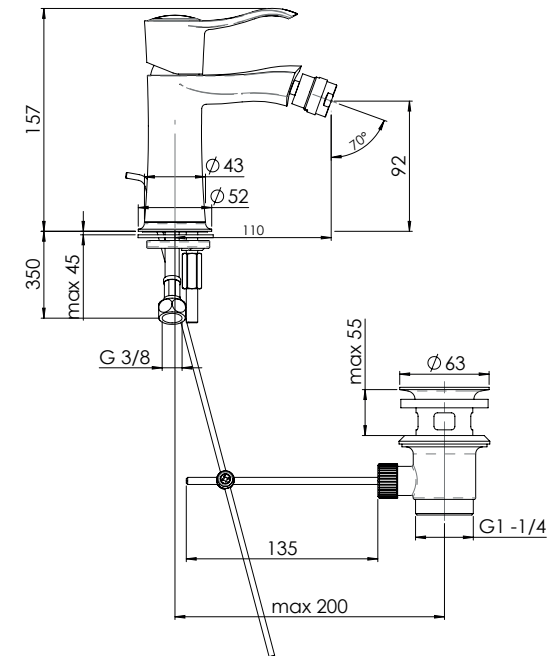


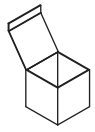
ALCOOL



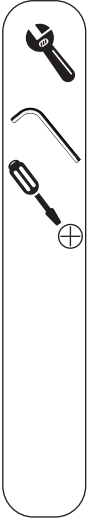
X

10





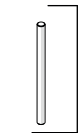
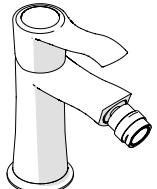
+



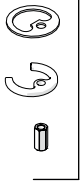
Not included / Non incluso / Non inclus / Nie zawarty / No incluido / Não incluido



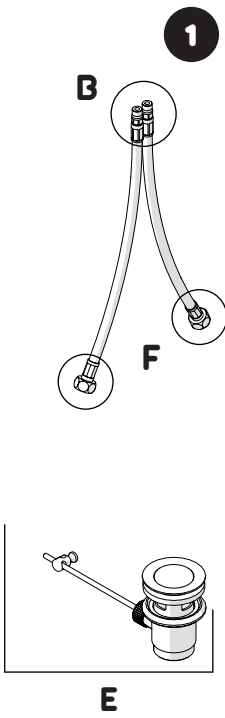
C



A



D

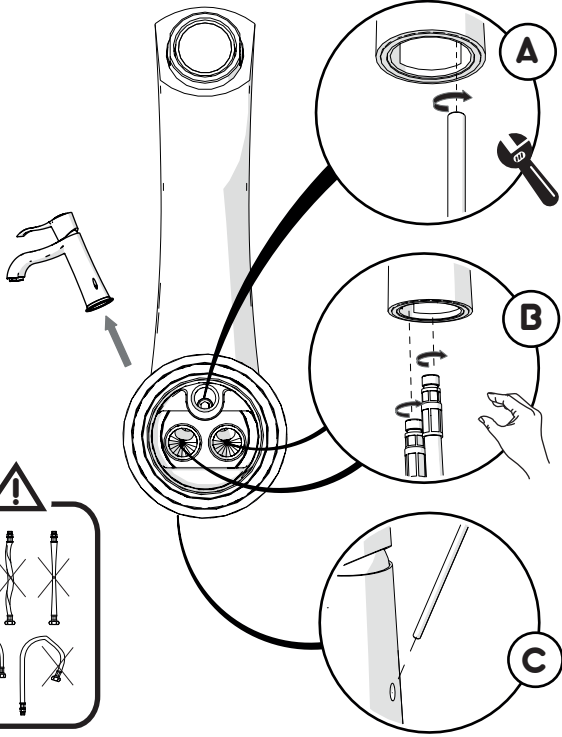
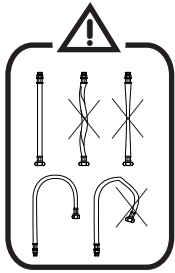
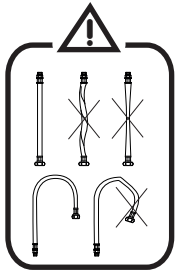


1

B

F

E

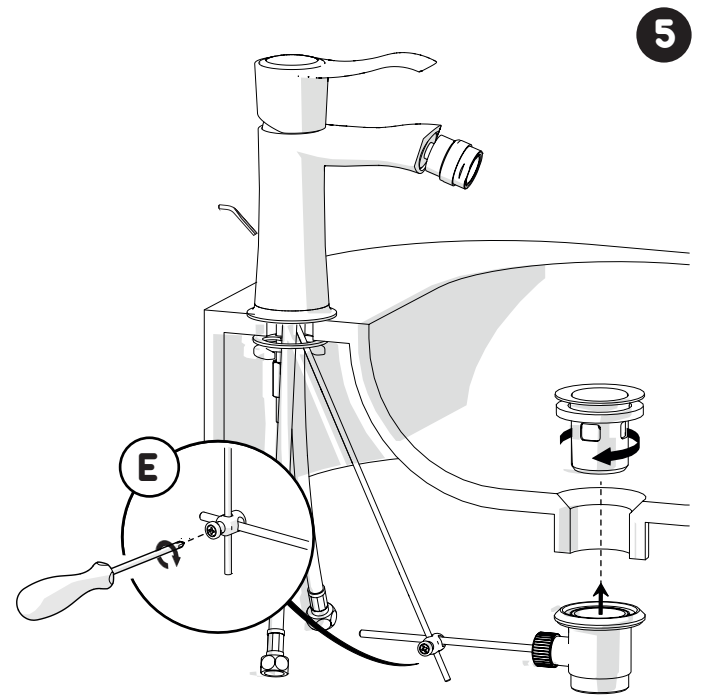


3

A

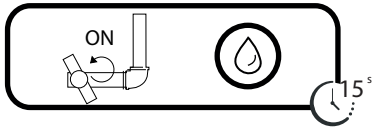
B

C



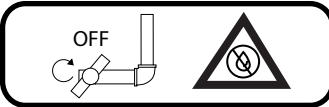
5

E

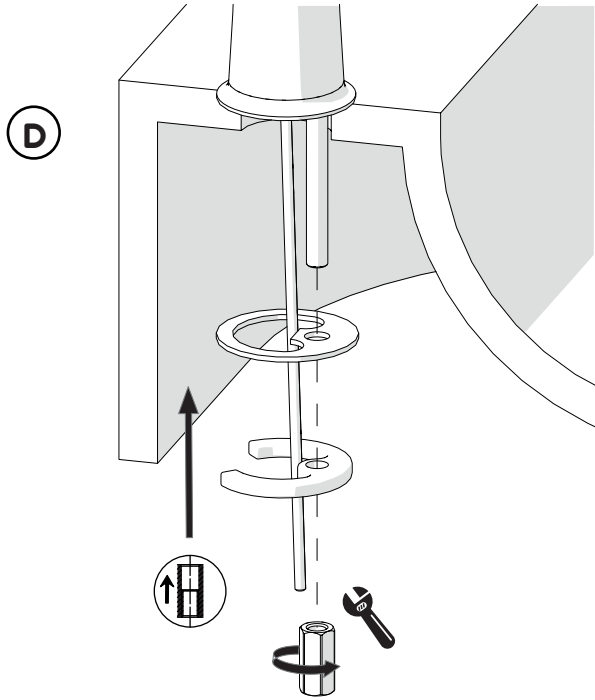


2

ON

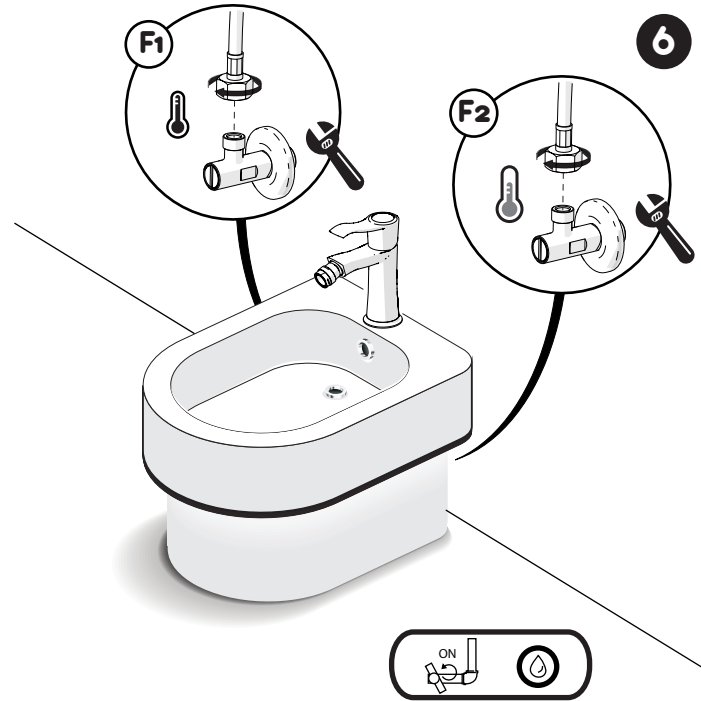


OFF



4

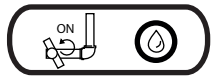
D



6

F1

F2



ON