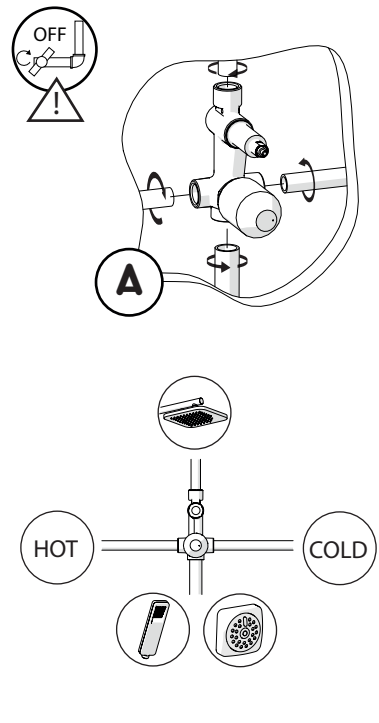
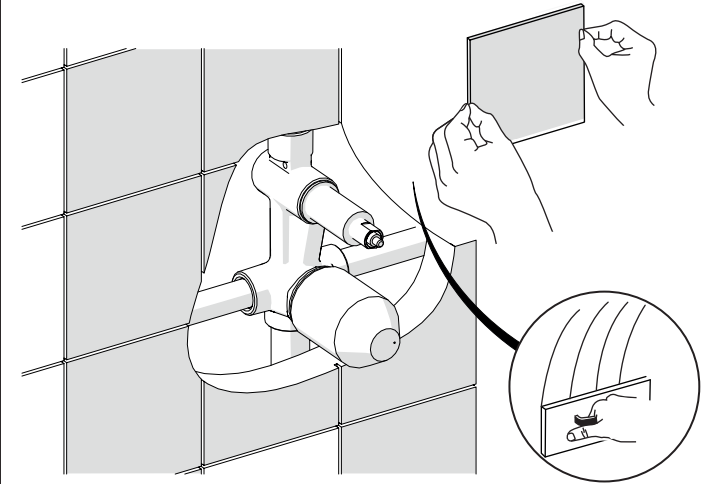
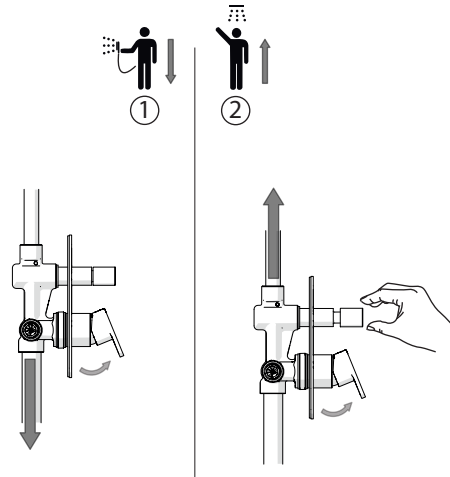
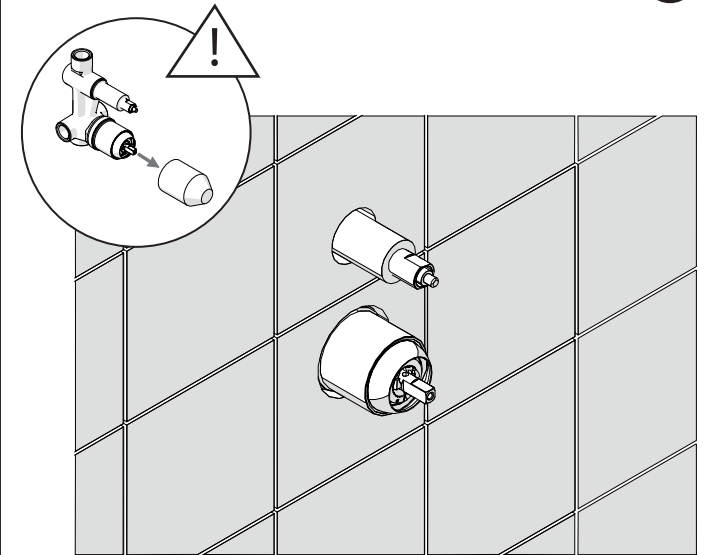
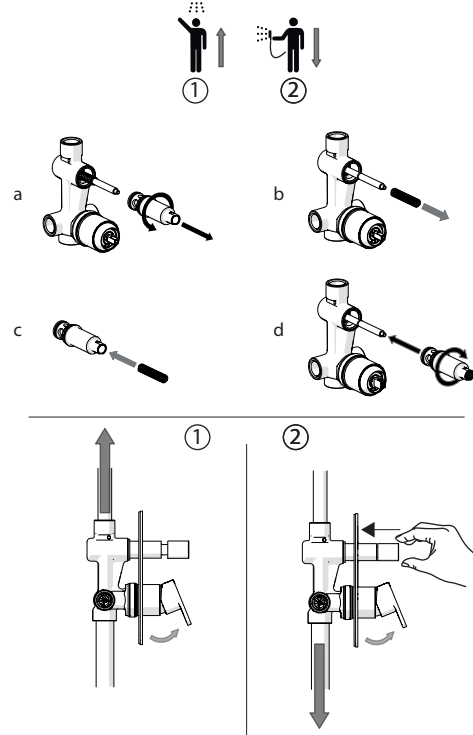


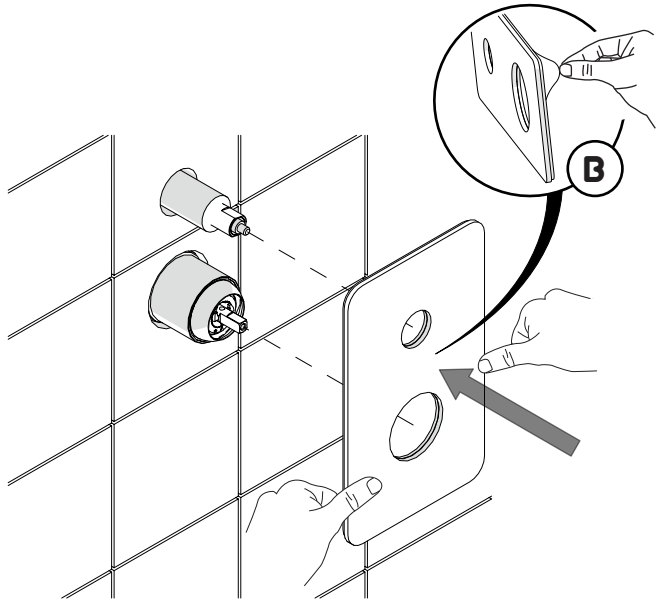
STANDARD POSITION



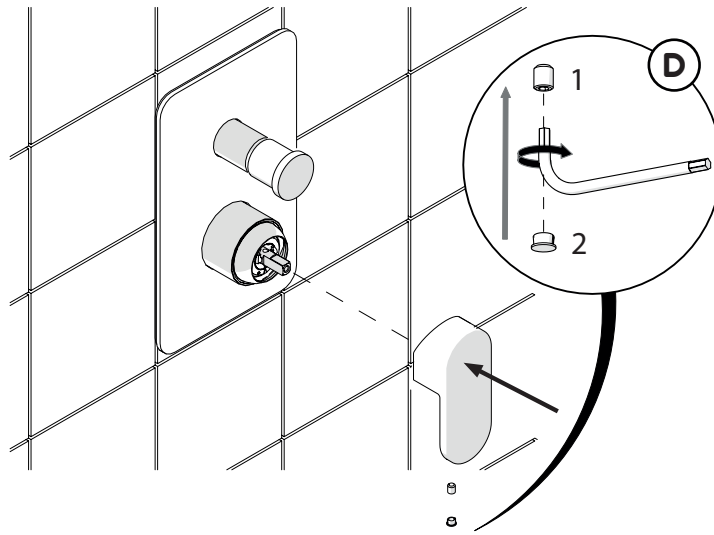
SECOND POSITION



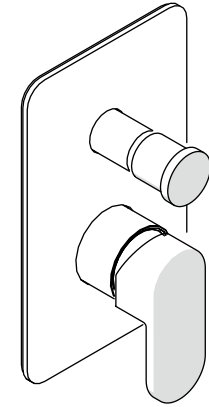
7



9



NOBILIS
The Best Technology for Water



UP94100

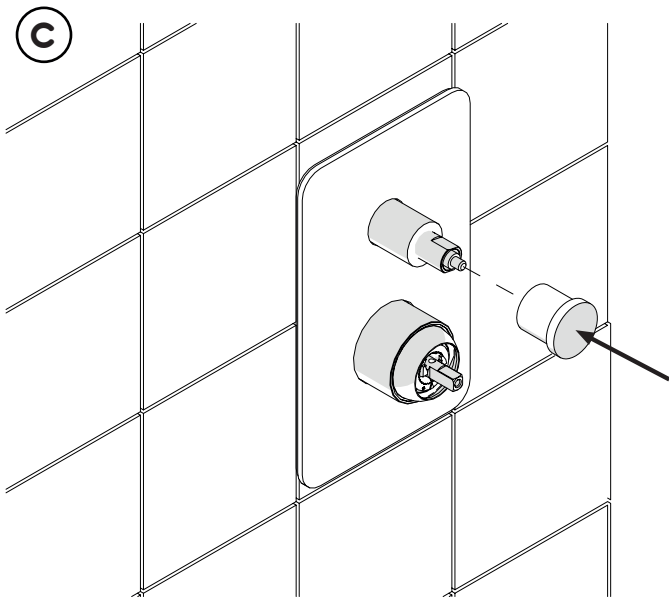


IISTRUP94100#---STD

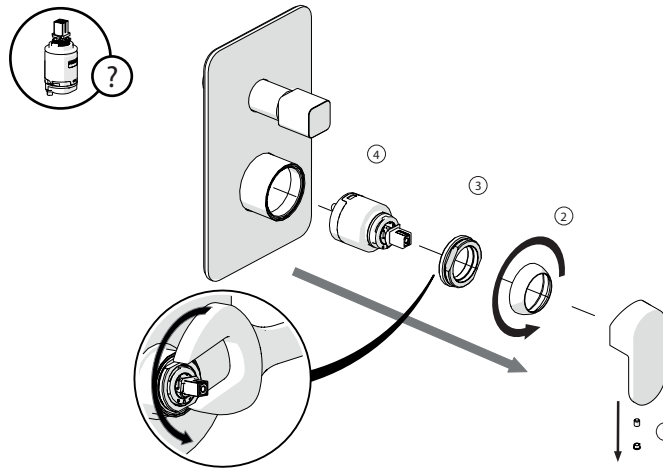
www.grupponobili.it

REV02/2013

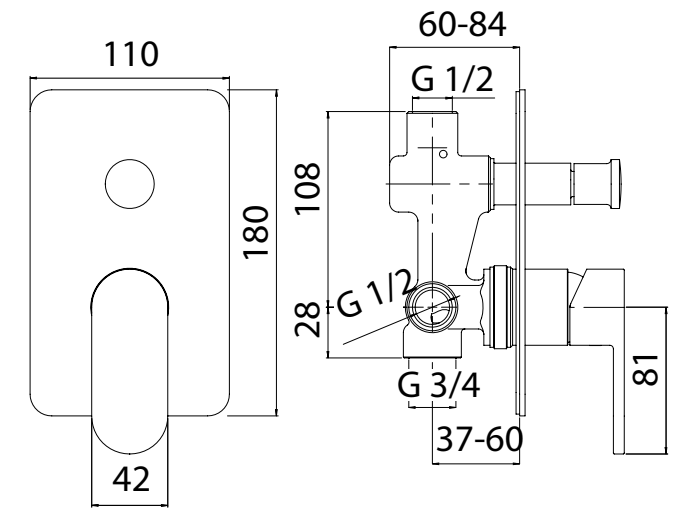
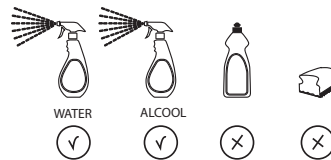
8



10



CLEANING



	P	P bar		0.5 MIN.		T °C		T °C		80 MAX		65-45
--	---	-------	--	----------	--	------	--	------	--	--------	--	-------