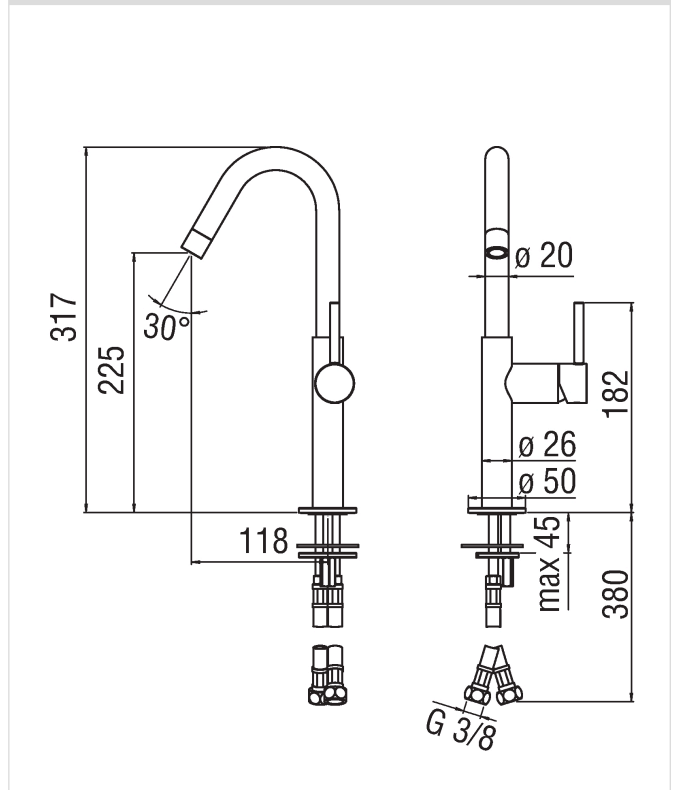


Image



Technical drawing



Specifications

- Washbasin
- Single control
- Chrome Finish
- Cartridge  $\varnothing$  28 mm
- Dynamic flow limiter (-50%)
- The temperature limiter
- Aerator Neoperl<sup>®</sup> caché M 18,5 x 1
- Flexible Parigi<sup>®</sup> SPX<sup>®</sup> stainless steel  $\varnothing$  3/8"
- Packaging: 38,5 x 24 x 13,9 cm / 0,012843 m<sup>3</sup> / 1,84 kg

Flow rate diagram

